

Kawasaki

SERVICE INFORMATION

Category	
Recall (FDM)	
Model	
ZX1400A6F/ A7F/B6F/B7F	
Serial No.	Date
DAA921A/2A/3A	Jun. 16, 2008

Subject

Frame Breakage - RECALL -

Eligibility

Units within the frame number ranges listed are eligible for inspection and repair.

Eligible units

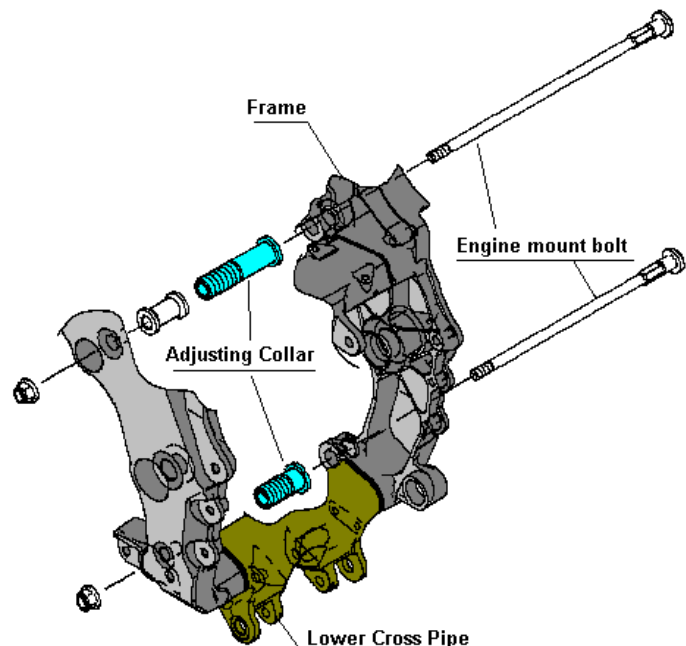
Model	Eligible Frame/VIN Number Range	Remark
ZX1400A6F/FL ZX1400A7F/FL/FA/FAL	JKBZXNA1√6A000023 through 010645 JKBZXNA1√7A015001 through 026292	American System
ZX1400A6F ZX1400A7F	JKBZXT40AAA000004 through 026070 ZXT40A – 000196 through 026291	European System Malaysian System
ZX1400B6F ZX1400B7F	JKBZXT40ABA000069 through 026279 ZXT40B – 000002 through 002280	European System Malaysian System

*The above √ symbol indicates this digit number differs from one machine to another.

*The eligible range includes certain number of units inspected by factory and shipped to US and Europe. Detail list is provided to those distributors.

Detail

On some eligible units, the engine mount adjusting collar(s) may be over-tightened at factory, creating excessive stress on weld bead on sides of lower cross pipe of frame. With this condition, if high load is applied in such a way that motorcycle is operated on rough road surfaces or through the potholes, the weld bead on lower cross pipe of frame could crack. Continued use can cause separation of frame, resulting in potential of a crash.



FACTORY DIRECTED MODIFICATION

Kawasaki Action

Kawasaki has initiated a RECALL (FDM) campaign to repair all eligible units according to the "Required Action in Fields" section of this Service Information.

Required Action in Fields

Repair all eligible units including sold units in fields and unsold units in Dealer and Distributor inventory. The repair consists of inspecting the tightening torque of engine mount adjusting collars and retighten them with specified torque. Some frames needs to be visually inspected any crack on weld on frame if the adjusting collar tightening torque is found excessive, then replace the frame if any crack or breakage on weld is confirmed.

Parts Information

The following part is required for frame replacement, only if the frame weld is found to be cracked or broken upon inspection. It will be supplied free of charge after receiving the inspection result from distributor to KHI.

NOTE

Labels included in the Kit-Label are homologation related and not available as a spare part to avoid unauthorized use.

These kits, therefore, should be handled carefully by distributor and supplied to dealer only if the frame is replaced upon inspection result.

〈FRAME KIT PART〉

P/N of KIT	P/N of Contents	Name of Contents	Qty
99999-0161	32160-1361-11E	FRAME-COMP	1
	92048-1110	RACE	2

〈LABEL KIT PART〉

Spec.	P/N of KIT	P/N of Contents	Name of Contents	Qty
ZXT40A-A201	99999-0167	56038-1054	LABEL-BRAND	1
		59464-0702	LABEL-CERTIFICATE	1
		59464-0756	LABEL- CERTIFICATE	1
		92039-1251	RIVET	2
ZXT40A-B201 ZXT40A-C201	99999-0168	56038-1054	LABEL-BRAND	1
		59464-0847	LABEL- CERTIFICATE	1
		59464-0848	LABEL- CERTIFICATE	1
		92039-1251	RIVET	2
ZXT40A-A205	99999-0169	56038-1054	LABEL-BRAND	1
		59464-0702	LABEL- CERTIFICATE	1
		59464-0758	LABEL- CERTIFICATE	1
		92039-1251	RIVET	2
ZXT40A-B205 ZXT40A-C205	99999-0170	56038-1054	LABEL-BRAND	1
		59464-0848	LABEL- CERTIFICATE	1
		59464-0850	LABEL- CERTIFICATE	1
		92039-1251	RIVET	2

Spec.	P/N of KIT	P/N of Contents	Name of Contents	Qty
ZXT40A-A202	99999-0171	56038-1054	LABEL-BRAND	1
		59463-1356	LABEL- CERTIFICATE	1
		59464-0756	LABEL- CERTIFICATE	1
		59464-0757	LABEL- CERTIFICATE	1
		92039-1251	RIVET	2
ZXT40A-B202	99999-0172	56038-1054	LABEL-BRAND	1
		59463-1356	LABEL- CERTIFICATE	1
		59464-0847	LABEL- CERTIFICATE	1
		59464-0849	LABEL- CERTIFICATE	1
		92039-1251	RIVET	2
ZXT40A-A303 ZXT40A-B303	99999-0173	59464-0704	LABEL- CERTIFICATE	1
		92039-1251	RIVET	2
ZXT40A-A306 ZXT40A-A308 ZXT40A-B308	99999-0174	56038-1054	LABEL-BRAND	1
		92039-1251	RIVET	2
ZXT40A-A310 ZXT40B-A310 ZXT40A-B310	99999-0175	56038-1054	LABEL-BRAND	1
		59464-1325	LABEL- CERTIFICATE	1
		92039-1251	RIVET	2
ZXT40A-40A ZXT40A-40B ZXT40A-40D ZXT40B-40A ZXT40B-40B ZXT40B-40D	99999-0176	59464-0710	LABEL- CERTIFICATE	1
		92039-1251	RIVET	2

〈BOLT KIT PART〉

P/N of KIT	P/N of Contents	Name of Contents	Qty
99999-0177	92153-1770	BOLT	4
	92153-1769	BOLT	2
	92153-1768	BOLT	2

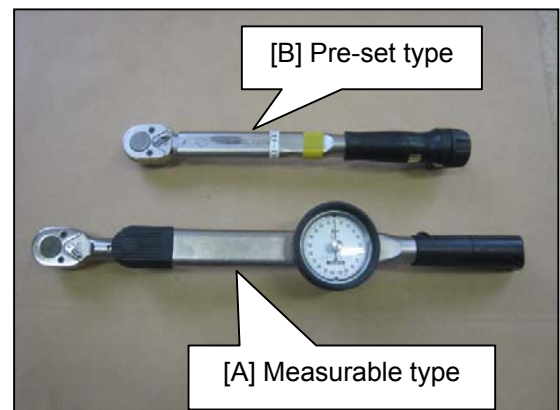
Repair Procedure

Please note the engine mount adjuster bolt is left-treaded, meaning that it is tightened if the adjuster bolt is turned counter-clockwise.

Therefore, this repair requires a torque wrench enabling to check the tightening torque by turning counter-clockwise.

< Tools for inspection >

- Torque wrench (Range 10 – 50 N-m)
 - [A]: Measurable type with dial gauge or with scale
 - [B]: Pre-set type (Not measurable)
- 8mm HEX wrench



- other tools – Torque wrench(any type)
Ratchet handle
17mm Box socket
Extension bar
8mmHEX

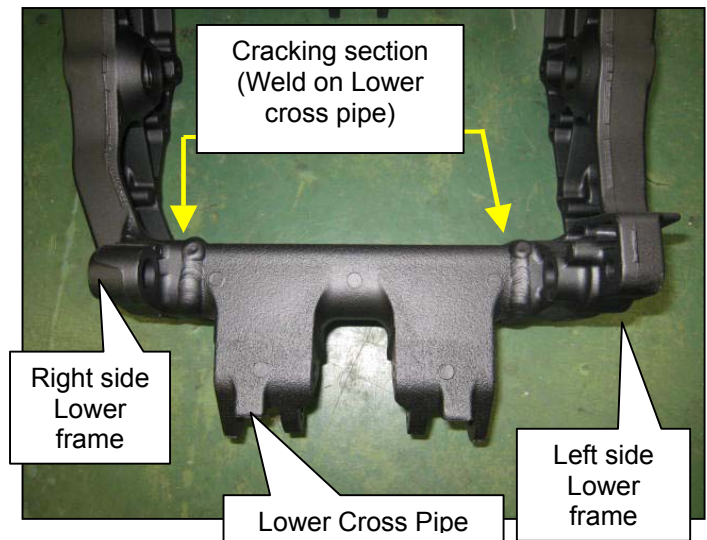
Refer to the appropriate sections of the Service Manual for information and procedures related to parts removal and installation.

Service Manual

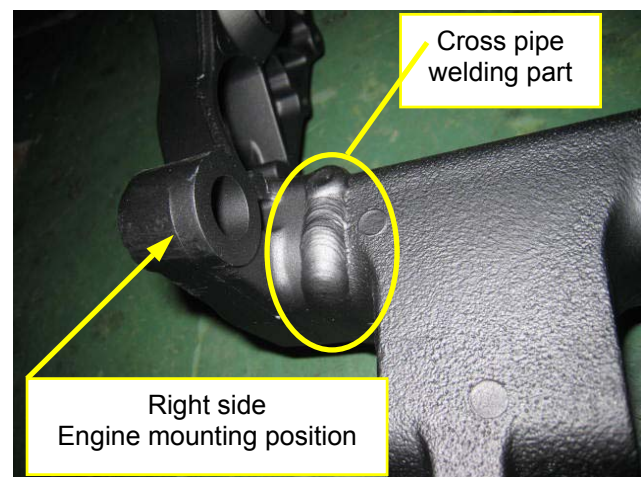
Model	Part Number
ZX1400A6F/B6F	99924-1362-01
ZX1400A7F/B7F	99924-1362-02

< Overview of the inspected area >

- The right picture shows the front view of the lower section of the main frame where the welding crack can occur.



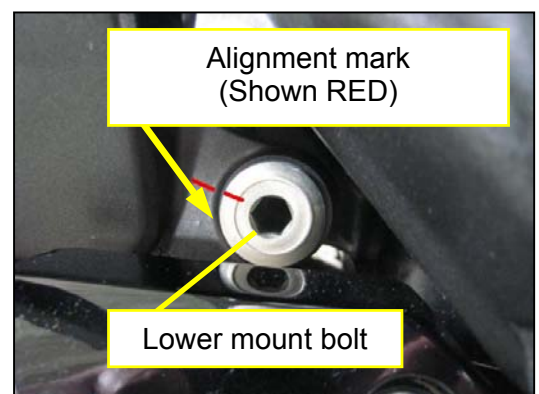
- The right picture shows the closed-up view of the engine mount boss where the flange of the adjuster bolt meets with.



If the frame weld is confirmed cracked or separated prior to performing the inspection, proceed replacement of frame without doing inspection.

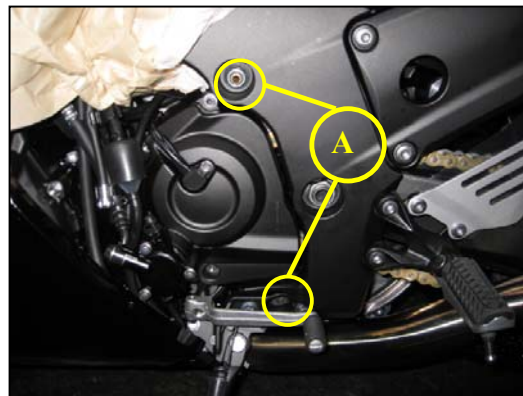
< Preparation for inspection >

- Set the vehicle on a flat surface.
- Confirm if a vehicle is securely fixed for not to move.
- Put the alignment marks on both upper and lower engine mounting bolts and frame at the right side of the vehicle.



- Loosen upper and lower engine mounting nuts [A] at the left side of the vehicle, while holding the mounting bolt at the right side of the vehicle not to allow the bolt not to turn clockwise.

After loosening the nut, make sure the alignment marking still to be aligned.
If the marking becomes misaligned, turn the mounting bolt counter-clockwise and align the marking.



< Inspection Procedure A >

Adjusting collar tightening torque is inspected by loosening (turning it clockwise) it with torque wrench and measure its initial torque when starting to turn. The inspection procedure describes method with a measurable torque wrench or a preset type torque wrench.

turning

A. In case Measurable Torque Wrench is used.

- Set the torque wrench to measure the ordinary tightening torque measurement like turning it clockwise.
- Set the torque wrench on the upper engine mount bolt and turn the torque wrench clockwise, as seen on the right picture, and measure the torque value when the mount bolt begins to turn. Note the value on some paper.

Do this measurement for the lower engine mount bolt as seen on the right picture below.



- If the torque value at either upper bolt or lower bolt observed equal to or over 50 N-m at the time of loosening, continue the inspection procedure.
- If the loosening torque of every bolts is observed less than 50 N-m, conduct the correct adjuster tightening described in the Repair Procedure Chapter.



B. In case Pre-set Torque Wrench is used.

- Set the torque wrench to check a 50N-m of the tightening torque while turning it clockwise.
- Set the torque wrench on the upper engine mount bolt and turn the torque wrench clockwise, as seen on the right picture.

Check if the click-sound of the preset torque wrench can be heard before the bolt begins to turn. Note the value on some paper.
Do this check for the lower engine mount bolt as well.



- If the click-sound is heard prior to bolt turning, continue the inspection procedure.
- If the click-sound is not heard while turning the bolt, conduct the correct adjuster tightening described in the Repair Procedure Chapter.

< Inspection Procedure B (Crack visual check) >

If the engine mount bolt loosening torque is equal to or exceeding 50N-m, this visual inspection should be carried out.

- Remove engine as described on the service manual.
Clean the welding area of both side of lower cross pipe with any cleaner.
- Inspect visually if any weld cracks or breaks at either side.
- If a crack or breakage is found, replace the frame with reference to the service manual.
When the engine is installed, make sure to conduct the correct adjuster tightening described in the Repair Procedure Chapter.
- If there is no crack on weld, reinstall the engine and tighten the adjusting collar as described in the Repair Procedure Chapter.



NOTE

If there is a crack on weld, it is large enough and visible as shown on the right picture.

<Repair Procedure (Engine mount bolt tightening)>

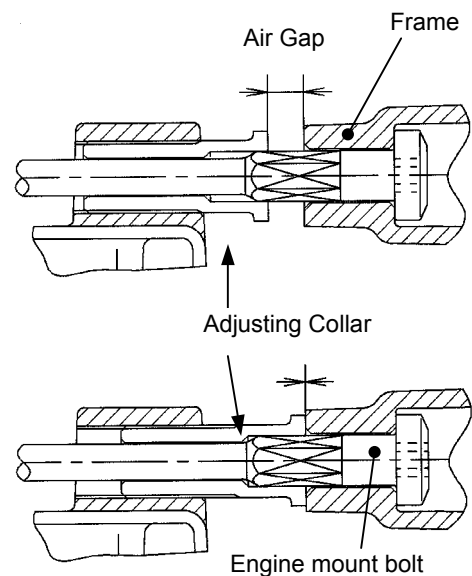
This chapter adds some tips for the adjuster bolt tightening in addition to the service manual.

NOTE

As the tightening torque of adjusting collar is updated to 15N-m (1.5 kg-m, 11 ft-lb), please revise your service manual.

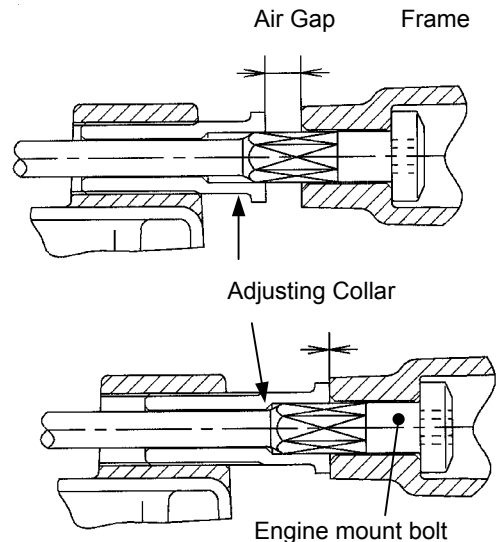
A. In case Measurable or Preset Torque Wrench is used.

- Set the preset torque wrench to make a click-sound at 15 N-m of tightening torque.
- Make sure the engine mount nut is removed. Turn the adjusting collar clockwise until it can be turned lightly, giving a gap between collar and frame.
- Remove the wrench lever and leave the socket head on the engine mount bolt. Turn the adjusting collar counter-clockwise with the socket head to grabbed by fingers until it becomes hard to turn, eliminating a gap.
- If the socket cannot be turned by finger, adjust the position of the engine with a engine lifter to line up the alignment.
- Set the torque wrench on the socket head and turn the adjusting collar counter-clockwise until the torque value reaches 15 N-m or the preset torque wrench makes a click-sound.
- Put a alignment mark on both the engine mount bolt and frame again and tighten the engine mount nut with the specified torque (59N-m, 6.0 kg-m, 44 ft-lb), while holding the engine mount bolt not to turn.
- Make sure the alignment marks are still matched.
- If the alignment marks are not match, loosen the engine mount nut and align the markings again. Then, repeat to tighten the nut again until the markings are still matching after tightening the nut.



B. In case Measurable or Preset Torque Wrench is not available.

- Make sure the engine mount nut is removed. Turn the adjusting collar clockwise until it can be turned lightly, giving a gap between collar and frame.
- Remove the wrench lever and leave the socket head on the engine mount bolt. Turn the adjusting collar counter-clockwise with the socket head to grabbed by fingers until it becomes hard to turn, eliminating a gap.
- If the socket cannot be turned by finger, adjust the position of the engine with a engine lifter to line up the alignment.
- Turn the adjusting collar 45 degrees counter-clockwise additionally.
- Put a alignment mark on both the engine mount bolt and frame again and tighten the engine mount nut with the specified torque (59N-m, 6.0 kg-m, 44 ft-lb), while holding the engine mount bolt not to turn.
- Make sure the alignment marks are still matched.
- If the alignment marks are not match, loosen the engine mount nut and align the markings again. Then, repeat to tighten the nut again until the markings are still matching after tightening the nut.



Repair Verification

After repair, add a punch mark above the VIN or the frame number stamped on the steering head pipe of frame.



Warranty Information

This is a Factory Directed Modification(RECALL)

The parts and labor cost will be reimbursed upon your warranty request.

JOB		Inspection only	Inspection with Engine R&R for crack check	Inspection & Frame replacement
Flat Rate		0.3 Hr	4.8 Hr	9.3 Hr (A model) 12.0 Hr (B model)
Trouble code	EU, US Market	PC : A2 , RC :21	PC : A2 , RC :21	PC : A2 , RC :21
	Other Market	TC : 60	TC : 60	TC : 60
Causal Part		Frame assy	Frame assy	KIT
Causal Part No.		32160-0159-11E	32160-0361-11E	99999-0161
Quantity		0	0	0
Special Claim ID No.		DAA921A	DAA922A	DAA923A

Please note the following.

- 1) For this inspection, some dealers may improperly charge some warranty request for visual inspection with engine removed, even though he carries out only torque check. To avoid this improper request, distributor may request dealers to provide some pictures showing the engine is removed from the motorcycle and confirm dealer's warranty request is correct.

- 2) If the frame is replaced, distributor shall collect the original frame to avoid the frame number duplication in the market or any other illegal use of it.

List of Units Repaired by Kawasaki

Kawasaki has repaired the some eligible units in warehouse before shipping.

(American System)

1	JKBZXNA186A000229	JKBZXNA176A008371	JKBZXNA137A015402	JKBZXNA197A015548
2	JKBZXNA156A000754	JKBZXNA186A008573	JKBZXNA157A015403	JKBZXNA107A015549
3	JKBZXNA116A001741	JKBZXNA1X6A009000	JKBZXNA177A015404	JKBZXNA147A015585
4	JKBZXNA116A002288	JKBZXNA156A009101	JKBZXNA177A015435	JKBZXNA167A015586
5	JKBZXNA1X6A003133	JKBZXNA157A015238	JKBZXNA197A015436	JKBZXNA187A015587
6	JKBZXNA1X6A003648	JKBZXNA177A015239	JKBZXNA107A015437	JKBZXNA1X7A015588
7	JKBZXNA106A003917	JKBZXNA137A015240	JKBZXNA127A015438	JKBZXNA117A015589
8	JKBZXNA106A004453	JKBZXNA157A015241	JKBZXNA147A015439	JKBZXNA167A015622
9	JKBZXNA186A004667	JKBZXNA177A015242	JKBZXNA127A015486	JKBZXNA1X7A015624
10	JKBZXNA196A004726	JKBZXNA1X7A015302	JKBZXNA147A015487	JKBZXNA137A015660
11	JKBZXNA116A005028	JKBZXNA117A015303	JKBZXNA187A015489	JKBZXNA157A015661
12	JKBZXNA116A006731	JKBZXNA137A015304	JKBZXNA137A015545	JKBZXNA177A015662
13	JKBZXNA176A007172	JKBZXNA157A015370	JKBZXNA157A015546	JKBZXNA197A015663
14	JKBZXNA156A007297	JKBZXNA177A015371	JKBZXNA177A015547	JKBZXNA107A015664
15	JKBZXNA107A015695	JKBZXNA187A018537	JKBZXNA167A019220	JKBZXNA197A019549

16	JKBZXNA127A015696	JKBZXNA157A018589	JKBZXNA117A019223	JKBZXNA167A019590
17	JKBZXNA147A015697	JKBZXNA117A018590	JKBZXNA147A019250	JKBZXNA187A019591
18	JKBZXNA167A015698	JKBZXNA187A018635	JKBZXNA167A019251	JKBZXNA117A019593
19	JKBZXNA187A015699	JKBZXNA137A018686	JKBZXNA187A019252	JKBZXNA137A019594
20	JKBZXNA187A015735	JKBZXNA177A018772	JKBZXNA1X7A019253	JKBZXNA107A019598
21	JKBZXNA1X7A015736	JKBZXNA197A018773	JKBZXNA117A019254	JKBZXNA1X7A019625
22	JKBZXNA117A015737	JKBZXNA107A018774	JKBZXNA117A019271	JKBZXNA117A019626
23	JKBZXNA157A015739	JKBZXNA127A018775	JKBZXNA107A019276	JKBZXNA137A019627
24	JKBZXNA147A015781	JKBZXNA147A018776	JKBZXNA147A019278	JKBZXNA157A019628
25	JKBZXNA167A015782	JKBZXNA1X7A018832	JKBZXNA197A019292	JKBZXNA177A019629
26	JKBZXNA187A015783	JKBZXNA117A018833	JKBZXNA167A019315	JKBZXNA137A019675
27	JKBZXNA157A015949	JKBZXNA137A018834	JKBZXNA1X7A019317	JKBZXNA157A019676
28	JKBZXNA137A016274	JKBZXNA177A018836	JKBZXNA137A019319	JKBZXNA177A019677
29	JKBZXNA167A016429	JKBZXNA147A018857	JKBZXNA117A019321	JKBZXNA197A019678
30	JKBZXNA1X7A016465	JKBZXNA187A018859	JKBZXNA137A019322	JKBZXNA107A019679
31	JKBZXNA197A016487	JKBZXNA147A018860	JKBZXNA157A019323	JKBZXNA107A019715
32	JKBZXNA127A016489	JKBZXNA167A018861	JKBZXNA177A019324	JKBZXNA127A019716
33	JKBZXNA197A016604	JKBZXNA167A018892	JKBZXNA107A019343	JKBZXNA167A019718
34	JKBZXNA107A016605	JKBZXNA187A018893	JKBZXNA137A019370	JKBZXNA127A019747
35	JKBZXNA107A016832	JKBZXNA1X7A018894	JKBZXNA157A019371	JKBZXNA157A019760
36	JKBZXNA117A016998	JKBZXNA117A018895	JKBZXNA177A019372	JKBZXNA177A019761
37	JKBZXNA187A017209	JKBZXNA137A018896	JKBZXNA197A019373	JKBZXNA197A019762
38	JKBZXNA157A017829	JKBZXNA157A018947	JKBZXNA107A019374	JKBZXNA107A019763
39	JKBZXNA127A017884	JKBZXNA177A018948	JKBZXNA147A019376	JKBZXNA127A019764
40	JKBZXNA1X7A017891	JKBZXNA197A018949	JKBZXNA167A019377	JKBZXNA127A019795
41	JKBZXNA197A018112	JKBZXNA157A018950	JKBZXNA1X7A019396	JKBZXNA147A019796
42	JKBZXNA1X7A018118	JKBZXNA177A018951	JKBZXNA117A019397	JKBZXNA167A019797
43	JKBZXNA117A018119	JKBZXNA137A018977	JKBZXNA107A019410	JKBZXNA187A019798
44	JKBZXNA187A018120	JKBZXNA157A018978	JKBZXNA127A019411	JKBZXNA1X7A019799
45	JKBZXNA1X7A018121	JKBZXNA137A018980	JKBZXNA147A019412	JKBZXNA1X7A019835
46	JKBZXNA167A018245	JKBZXNA157A018981	JKBZXNA167A019413	JKBZXNA117A019836
47	JKBZXNA187A018246	JKBZXNA127A019022	JKBZXNA187A019414	JKBZXNA137A019837
48	JKBZXNA1X7A018247	JKBZXNA147A019023	JKBZXNA137A019420	JKBZXNA157A019838
49	JKBZXNA1X7A018314	JKBZXNA167A019024	JKBZXNA157A019421	JKBZXNA177A019839
50	JKBZXNA137A018316	JKBZXNA187A019025	JKBZXNA177A019422	JKBZXNA147A019880
51	JKBZXNA137A018347	JKBZXNA197A019096	JKBZXNA197A019423	JKBZXNA167A019881
52	JKBZXNA137A018364	JKBZXNA117A019125	JKBZXNA107A019424	JKBZXNA1X7A019883
53	JKBZXNA157A018365	JKBZXNA137A019126	JKBZXNA107A019455	JKBZXNA1X7A019916
54	JKBZXNA177A018366	JKBZXNA157A019127	JKBZXNA167A019458	JKBZXNA117A019917
55	JKBZXNA197A018367	JKBZXNA177A019128	JKBZXNA177A019467	JKBZXNA137A019918
56	JKBZXNA107A018368	JKBZXNA197A019129	JKBZXNA157A019483	JKBZXNA157A019919
57	JKBZXNA197A018448	JKBZXNA187A019154	JKBZXNA117A019495	JKBZXNA127A019974
58	JKBZXNA1X7A018474	JKBZXNA167A019167	JKBZXNA137A019496	JKBZXNA1X7A020001
59	JKBZXNA117A018475	JKBZXNA117A019190	JKBZXNA177A019498	JKBZXNA157A020004
60	JKBZXNA137A018476	JKBZXNA137A019191	JKBZXNA197A019499	JKBZXNA177A020005
61	JKBZXNA157A018477	JKBZXNA157A019192	JKBZXNA107A019522	JKBZXNA187A020076
62	JKBZXNA177A018478	JKBZXNA177A019193	JKBZXNA137A019546	JKBZXNA1X7A020077
63	JKBZXNA107A018502	JKBZXNA197A019194	JKBZXNA177A019548	JKBZXNA117A020078
64	JKBZXNA137A020079	JKBZXNA107A021657	JKBZXNA107A022484	JKBZXNA167A022814

65	JKBZXNA1X7A020080	JKBZXNA107A021805	JKBZXNA127A022485	JKBZXNA187A022815
66	JKBZXNA187A020157	JKBZXNA127A021806	JKBZXNA147A022486	JKBZXNA1X7A022816
67	JKBZXNA1X7A020158	JKBZXNA1X7A021813	JKBZXNA167A022487	JKBZXNA117A022817
68	JKBZXNA187A020160	JKBZXNA167A021887	JKBZXNA187A022488	JKBZXNA137A022818
69	JKBZXNA157A020259	JKBZXNA117A021893	JKBZXNA137A022513	JKBZXNA117A022834
70	JKBZXNA197A020281	JKBZXNA137A021894	JKBZXNA1X7A022539	JKBZXNA137A022835
71	JKBZXNA107A020282	JKBZXNA197A021897	JKBZXNA167A022540	JKBZXNA157A022836
72	JKBZXNA167A020285	JKBZXNA177A021963	JKBZXNA187A022541	JKBZXNA177A022837
73	JKBZXNA127A020316	JKBZXNA197A021964	JKBZXNA1X7A022542	JKBZXNA197A022838
74	JKBZXNA147A020317	JKBZXNA107A021965	JKBZXNA117A022543	JKBZXNA197A022869
75	JKBZXNA167A020318	JKBZXNA127A021966	JKBZXNA197A022550	JKBZXNA157A022870
76	JKBZXNA187A020319	JKBZXNA147A021967	JKBZXNA107A022551	JKBZXNA177A022871
77	JKBZXNA147A020320	JKBZXNA157A021976	JKBZXNA127A022552	JKBZXNA197A022872
78	JKBZXNA1X7A020323	JKBZXNA187A022054	JKBZXNA177A022594	JKBZXNA107A022873
79	JKBZXNA107A020363	JKBZXNA117A022056	JKBZXNA197A022595	JKBZXNA117A022901
80	JKBZXNA147A020396	JKBZXNA147A022133	JKBZXNA107A022596	JKBZXNA137A022902
81	JKBZXNA167A020397	JKBZXNA167A022134	JKBZXNA127A022597	JKBZXNA157A022903
82	JKBZXNA187A020398	JKBZXNA1X7A022234	JKBZXNA147A022598	JKBZXNA167A022909
83	JKBZXNA1X7A020399	JKBZXNA137A022236	JKBZXNA137A022639	JKBZXNA127A022910
84	JKBZXNA127A020400	JKBZXNA157A022237	JKBZXNA117A022669	JKBZXNA147A022911
85	JKBZXNA157A020472	JKBZXNA187A022264	JKBZXNA187A022670	JKBZXNA167A022912
86	JKBZXNA177A020473	JKBZXNA1X7A022265	JKBZXNA1X7A022671	JKBZXNA187A022913
87	JKBZXNA197A020667	JKBZXNA117A022266	JKBZXNA117A022672	JKBZXNA1X7A022931
88	JKBZXNA187A020742	JKBZXNA1X7A022329	JKBZXNA137A022673	JKBZXNA137A022950
89	JKBZXNA157A020892	JKBZXNA127A022339	JKBZXNA147A022679	JKBZXNA177A022952
90	JKBZXNA177A020893	JKBZXNA197A022340	JKBZXNA107A022680	JKBZXNA197A022984
91	JKBZXNA107A020895	JKBZXNA107A022341	JKBZXNA127A022681	JKBZXNA107A022985
92	JKBZXNA117A020968	JKBZXNA127A022342	JKBZXNA147A022682	JKBZXNA127A022986
93	JKBZXNA197A021057	JKBZXNA147A022343	JKBZXNA167A022683	JKBZXNA167A022988
94	JKBZXNA107A021058	JKBZXNA137A022379	JKBZXNA127A022695	JKBZXNA117A023014
95	JKBZXNA127A021059	JKBZXNA1X7A022380	JKBZXNA127A022714	JKBZXNA137A023015
96	JKBZXNA197A021060	JKBZXNA117A022381	JKBZXNA147A022715	JKBZXNA157A023016
97	JKBZXNA107A021061	JKBZXNA137A022382	JKBZXNA167A022716	JKBZXNA177A023017
98	JKBZXNA157A021122	JKBZXNA157A022383	JKBZXNA187A022717	JKBZXNA197A023018
99	JKBZXNA197A021124	JKBZXNA107A022419	JKBZXNA1X7A022718	JKBZXNA147A023024
100	JKBZXNA1X7A021293	JKBZXNA177A022420	JKBZXNA137A022754	JKBZXNA167A023025
101	JKBZXNA137A021295	JKBZXNA197A022421	JKBZXNA157A022755	JKBZXNA187A023026
102	JKBZXNA187A021311	JKBZXNA107A022422	JKBZXNA177A022756	JKBZXNA1X7A023027
103	JKBZXNA197A021429	JKBZXNA127A022423	JKBZXNA197A022757	JKBZXNA117A023028
104	JKBZXNA177A021431	JKBZXNA1X7A022444	JKBZXNA107A022758	JKBZXNA1X7A023044
105	JKBZXNA197A021432	JKBZXNA117A022445	JKBZXNA117A022784	JKBZXNA157A023064
106	JKBZXNA107A021433	JKBZXNA137A022446	JKBZXNA137A022785	JKBZXNA177A023065
107	JKBZXNA127A021465	JKBZXNA177A022448	JKBZXNA157A022786	JKBZXNA197A023066
108	JKBZXNA167A021484	JKBZXNA187A022474	JKBZXNA177A022787	JKBZXNA107A023067
109	JKBZXNA1X7A021486	JKBZXNA1X7A022475	JKBZXNA197A022788	JKBZXNA127A023068
110	JKBZXNA137A021653	JKBZXNA117A022476	JKBZXNA167A022795	JKBZXNA127A023104
111	JKBZXNA177A021655	JKBZXNA137A022477	JKBZXNA1X7A022797	JKBZXNA167A023106
112	JKBZXNA197A021656	JKBZXNA157A022478	JKBZXNA117A022798	JKBZXNA187A023107
113	JKBZXNA1X7A023108	JKBZXNA127A023605	JKBZXNA187A024113	JKBZXNA1X7A025165

114	JKBZXNA197A023150	JKBZXNA147A023606	JKBZXNA1X7A024114	JKBZXNA117A025166
115	JKBZXNA127A023152	JKBZXNA157A023632	JKBZXNA117A024115	JKBZXNA107A025207
116	JKBZXNA147A023153	JKBZXNA177A023633	JKBZXNA137A024116	JKBZXNA147A025209
117	JKBZXNA167A023199	JKBZXNA197A023634	JKBZXNA147A024142	JKBZXNA107A025210
118	JKBZXNA197A023200	JKBZXNA107A023635	JKBZXNA167A024143	JKBZXNA127A025211
119	JKBZXNA107A023201	JKBZXNA127A023636	JKBZXNA1X7A024145	JKBZXNA197A025237
120	JKBZXNA127A023202	JKBZXNA1X7A023643	JKBZXNA197A024217	JKBZXNA107A025238
121	JKBZXNA147A023203	JKBZXNA117A023644	JKBZXNA197A024220	JKBZXNA127A025239
122	JKBZXNA197A023228	JKBZXNA157A023646	JKBZXNA177A024278	JKBZXNA197A025240
123	JKBZXNA107A023229	JKBZXNA167A023672	JKBZXNA197A024279	JKBZXNA107A025241
124	JKBZXNA177A023230	JKBZXNA187A023673	JKBZXNA157A024280	JKBZXNA157A025252
125	JKBZXNA127A023233	JKBZXNA1X7A023674	JKBZXNA177A024281	JKBZXNA177A025253
126	JKBZXNA147A023234	JKBZXNA117A023675	JKBZXNA127A024303	JKBZXNA197A025254
127	JKBZXNA167A023235	JKBZXNA137A023676	JKBZXNA147A024304	JKBZXNA107A025255
128	JKBZXNA187A023236	JKBZXNA107A023716	JKBZXNA167A024305	JKBZXNA127A025256
129	JKBZXNA1X7A023237	JKBZXNA187A023740	JKBZXNA187A024306	JKBZXNA107A025272
130	JKBZXNA1X7A023271	JKBZXNA1X7A023769	JKBZXNA1X7A024307	JKBZXNA127A025273
131	JKBZXNA117A023272	JKBZXNA187A023771	JKBZXNA177A024328	JKBZXNA147A025274
132	JKBZXNA137A023273	JKBZXNA197A023777	JKBZXNA177A024331	JKBZXNA167A025275
133	JKBZXNA157A023274	JKBZXNA107A023778	JKBZXNA117A024406	JKBZXNA187A025276
134	JKBZXNA177A023275	JKBZXNA197A023780	JKBZXNA157A024408	JKBZXNA1X7A025313
135	JKBZXNA127A023300	JKBZXNA167A023848	JKBZXNA1X7A024453	JKBZXNA197A025349
136	JKBZXNA117A023322	JKBZXNA147A023850	JKBZXNA107A024462	JKBZXNA177A025429
137	JKBZXNA137A023323	JKBZXNA167A023851	JKBZXNA147A024464	
138	JKBZXNA157A023324	JKBZXNA187A023897	JKBZXNA167A024465	
139	JKBZXNA177A023325	JKBZXNA1X7A023898	JKBZXNA117A024468	
140	JKBZXNA197A023326	JKBZXNA117A023899	JKBZXNA147A024786	
141	JKBZXNA127A023362	JKBZXNA147A023900	JKBZXNA187A024824	
142	JKBZXNA147A023363	JKBZXNA167A023901	JKBZXNA1X7A024825	
143	JKBZXNA167A023364	JKBZXNA197A023990	JKBZXNA157A024828	
144	JKBZXNA1X7A023366	JKBZXNA107A023991	JKBZXNA127A024981	
145	JKBZXNA117A023367	JKBZXNA127A023992	JKBZXNA157A025042	
146	JKBZXNA137A023368	JKBZXNA147A023993	JKBZXNA177A025043	
147	JKBZXNA157A023369	JKBZXNA167A023994	JKBZXNA197A025044	
148	JKBZXNA117A023370	JKBZXNA137A024018	JKBZXNA107A025045	
149	JKBZXNA137A023371	JKBZXNA157A024019	JKBZXNA127A025046	
150	JKBZXNA147A023444	JKBZXNA117A024020	JKBZXNA137A025072	
151	JKBZXNA197A023472	JKBZXNA157A024022	JKBZXNA157A025073	
152	JKBZXNA127A023474	JKBZXNA147A024044	JKBZXNA177A025074	
153	JKBZXNA167A023476	JKBZXNA167A024045	JKBZXNA197A025075	
154	JKBZXNA137A023497	JKBZXNA1X7A024047	JKBZXNA107A025076	
155	JKBZXNA157A023498	JKBZXNA1X7A024064	JKBZXNA167A025132	
156	JKBZXNA177A023499	JKBZXNA157A024067	JKBZXNA187A025133	
157	JKBZXNA1X7A023500	JKBZXNA197A024069	JKBZXNA1X7A025134	
158	JKBZXNA117A023580	JKBZXNA157A024070	JKBZXNA117A025135	
159	JKBZXNA177A023602	JKBZXNA147A024092	JKBZXNA147A025162	
160	JKBZXNA197A023603	JKBZXNA187A024094	JKBZXNA167A025163	
161	JKBZXNA107A023604	JKBZXNA1X7A024095	JKBZXNA187A025164	

(European System ZX1400A model)

1	JKBZXT40AAA008660	JKBZXT40AAA020144	JKBZXT40AAA021511	JKBZXT40AAA021982
2	JKBZXT40AAA008663	JKBZXT40AAA021019	JKBZXT40AAA021512	JKBZXT40AAA022008
3	JKBZXT40AAA008810	JKBZXT40AAA021077	JKBZXT40AAA021531	JKBZXT40AAA022012
4	JKBZXT40AAA008811	JKBZXT40AAA021078	JKBZXT40AAA021532	JKBZXT40AAA022058
5	JKBZXT40AAA008812	JKBZXT40AAA021079	JKBZXT40AAA021533	JKBZXT40AAA022059
6	JKBZXT40AAA008814	JKBZXT40AAA021080	JKBZXT40AAA021557	JKBZXT40AAA022088
7	JKBZXT40AAA008975	JKBZXT40AAA021081	JKBZXT40AAA021559	JKBZXT40AAA022089
8	JKBZXT40AAA008976	JKBZXT40AAA021102	JKBZXT40AAA021561	JKBZXT40AAA022090
9	JKBZXT40AAA008978	JKBZXT40AAA021103	JKBZXT40AAA021582	JKBZXT40AAA022091
10	JKBZXT40AAA008979	JKBZXT40AAA021104	JKBZXT40AAA021585	JKBZXT40AAA022092
11	JKBZXT40AAA009151	JKBZXT40AAA021105	JKBZXT40AAA021586	JKBZXT40AAA022138
12	JKBZXT40AAA009153	JKBZXT40AAA021106	JKBZXT40AAA021613	JKBZXT40AAA022139
13	JKBZXT40AAA009320	JKBZXT40AAA021162	JKBZXT40AAA021614	JKBZXT40AAA022140
14	JKBZXT40AAA009321	JKBZXT40AAA021163	JKBZXT40AAA021615	JKBZXT40AAA022141
15	JKBZXT40AAA009322	JKBZXT40AAA021164	JKBZXT40AAA021616	JKBZXT40AAA022142
16	JKBZXT40AAA009323	JKBZXT40AAA021165	JKBZXT40AAA021617	JKBZXT40AAA022175
17	JKBZXT40AAA009324	JKBZXT40AAA021166	JKBZXT40AAA021638	JKBZXT40AAA022200
18	JKBZXT40AAA019203	JKBZXT40AAA021187	JKBZXT40AAA021639	JKBZXT40AAA022241
19	JKBZXT40AAA019269	JKBZXT40AAA021188	JKBZXT40AAA021640	JKBZXT40AAA022242
20	JKBZXT40AAA019445	JKBZXT40AAA021189	JKBZXT40AAA021641	JKBZXT40AAA023291
21	JKBZXT40AAA019446	JKBZXT40AAA021190	JKBZXT40AAA021642	JKBZXT40AAA023292
22	JKBZXT40AAA019447	JKBZXT40AAA021191	JKBZXT40AAA021690	JKBZXT40AAA023293
23	JKBZXT40AAA019448	JKBZXT40AAA021215	JKBZXT40AAA021692	JKBZXT40AAA023294
24	JKBZXT40AAA019655	JKBZXT40AAA021247	JKBZXT40AAA021713	JKBZXT40AAA023357
25	JKBZXT40AAA019656	JKBZXT40AAA021249	JKBZXT40AAA021714	JKBZXT40AAA023358
26	JKBZXT40AAA019657	JKBZXT40AAA021250	JKBZXT40AAA021715	JKBZXT40AAA023359
27	JKBZXT40AAA019658	JKBZXT40AAA021297	JKBZXT40AAA021716	JKBZXT40AAA023422
28	JKBZXT40AAA019659	JKBZXT40AAA021298	JKBZXT40AAA021717	JKBZXT40AAA023423
29	JKBZXT40AAA019740	JKBZXT40AAA021299	JKBZXT40AAA021798	JKBZXT40AAA023424
30	JKBZXT40AAA019741	JKBZXT40AAA021300	JKBZXT40AAA021800	JKBZXT40AAA023425
31	JKBZXT40AAA019742	JKBZXT40AAA021301	JKBZXT40AAA021801	JKBZXT40AAA023426
32	JKBZXT40AAA019743	JKBZXT40AAA021328	JKBZXT40AAA021802	JKBZXT40AAA023492
33	JKBZXT40AAA019744	JKBZXT40AAA021329	JKBZXT40AAA021818	JKBZXT40AAA023493
34	JKBZXT40AAA019815	JKBZXT40AAA021330	JKBZXT40AAA021852	JKBZXT40AAA023494
35	JKBZXT40AAA019816	JKBZXT40AAA021389	JKBZXT40AAA021879	JKBZXT40AAA023495
36	JKBZXT40AAA019817	JKBZXT40AAA021390	JKBZXT40AAA021881	JKBZXT40AAA023496
37	JKBZXT40AAA019818	JKBZXT40AAA021391	JKBZXT40AAA021898	JKBZXT40AAA023557
38	JKBZXT40AAA019819	JKBZXT40AAA021392	JKBZXT40AAA021899	JKBZXT40AAA023558
39	JKBZXT40AAA019861	JKBZXT40AAA021393	JKBZXT40AAA021901	JKBZXT40AAA023559
40	JKBZXT40AAA019862	JKBZXT40AAA021414	JKBZXT40AAA021902	JKBZXT40AAA023560
41	JKBZXT40AAA019863	JKBZXT40AAA021415	JKBZXT40AAA021928	JKBZXT40AAA023561
42	JKBZXT40AAA019864	JKBZXT40AAA021416	JKBZXT40AAA021930	JKBZXT40AAA023662
43	JKBZXT40AAA019937	JKBZXT40AAA021417	JKBZXT40AAA021931	JKBZXT40AAA023663
44	JKBZXT40AAA019938	JKBZXT40AAA021459	JKBZXT40AAA021958	JKBZXT40AAA023664
45	JKBZXT40AAA019939	JKBZXT40AAA021460	JKBZXT40AAA021961	JKBZXT40AAA023665
46	JKBZXT40AAA020021	JKBZXT40AAA021461	JKBZXT40AAA021978	JKBZXT40AAA023757
47	JKBZXT40AAA020023	JKBZXT40AAA021463	JKBZXT40AAA021979	JKBZXT40AAA023758
48	JKBZXT40AAA020024	JKBZXT40AAA021509	JKBZXT40AAA021980	JKBZXT40AAA023759
49	JKBZXT40AAA020025	JKBZXT40AAA021510	JKBZXT40AAA021981	JKBZXT40AAA023760

50	JKBZXT40AAA023761	JKBZXT40AAA025793	JKBZXT40AAA025873	JKBZXT40AAA025915
51	JKBZXT40AAA023822	JKBZXT40AAA025794	JKBZXT40AAA025874	JKBZXT40AAA025916
52	JKBZXT40AAA023823	JKBZXT40AAA025819	JKBZXT40AAA025876	JKBZXT40AAA025917
53	JKBZXT40AAA023824	JKBZXT40AAA025820	JKBZXT40AAA025883	JKBZXT40AAA025928
54	JKBZXT40AAA023825	JKBZXT40AAA025821	JKBZXT40AAA025884	JKBZXT40AAA025929
55	JKBZXT40AAA023826	JKBZXT40AAA025822	JKBZXT40AAA025885	JKBZXT40AAA025930
56	JKBZXT40AAA024507	JKBZXT40AAA025833	JKBZXT40AAA025886	JKBZXT40AAA025938
57	JKBZXT40AAA024569	JKBZXT40AAA025834	JKBZXT40AAA025887	JKBZXT40AAA025939
58	JKBZXT40AAA024667	JKBZXT40AAA025835	JKBZXT40AAA025895	JKBZXT40AAA025940
59	JKBZXT40AAA024669	JKBZXT40AAA025836	JKBZXT40AAA025896	JKBZXT40AAA025941
60	JKBZXT40AAA024677	JKBZXT40AAA025837	JKBZXT40AAA025897	JKBZXT40AAA025942
61	JKBZXT40AAA024678	JKBZXT40AAA025849	JKBZXT40AAA025903	JKBZXT40AAA025953
62	JKBZXT40AAA024679	JKBZXT40AAA025852	JKBZXT40AAA025904	JKBZXT40AAA025954
63	JKBZXT40AAA024680	JKBZXT40AAA025858	JKBZXT40AAA025905	JKBZXT40AAA025955
64	JKBZXT40AAA024681	JKBZXT40AAA025859	JKBZXT40AAA025906	JKBZXT40AAA025956
65	JKBZXT40AAA025790	JKBZXT40AAA025860	JKBZXT40AAA025907	JKBZXT40AAA025957
66	JKBZXT40AAA025791	JKBZXT40AAA025861	JKBZXT40AAA025913	JKBZXT40AAA026059
67	JKBZXT40AAA025792	JKBZXT40AAA025862	JKBZXT40AAA025914	JKBZXT40AAA026061

(European System ZX1400B model)

1	JKBZXT40ABA009014	JKBZXT40ABA022494	JKBZXT40ABA022674	JKBZXT40ABA022789
2	JKBZXT40ABA009365	JKBZXT40ABA022495	JKBZXT40ABA022675	JKBZXT40ABA022854
3	JKBZXT40ABA022226	JKBZXT40ABA022496	JKBZXT40ABA022676	JKBZXT40ABA022855
4	JKBZXT40ABA022227	JKBZXT40ABA022498	JKBZXT40ABA022677	JKBZXT40ABA022856
5	JKBZXT40ABA022228	JKBZXT40ABA022515	JKBZXT40ABA022678	JKBZXT40ABA022889
6	JKBZXT40ABA022256	JKBZXT40ABA022518	JKBZXT40ABA022704	JKBZXT40ABA022890
7	JKBZXT40ABA022273	JKBZXT40ABA022559	JKBZXT40ABA022705	JKBZXT40ABA022891
8	JKBZXT40ABA022299	JKBZXT40ABA022562	JKBZXT40ABA022706	JKBZXT40ABA022892
9	JKBZXT40ABA022301	JKBZXT40ABA022563	JKBZXT40ABA022707	JKBZXT40ABA022893
10	JKBZXT40ABA022302	JKBZXT40ABA022574	JKBZXT40ABA022719	JKBZXT40ABA022939
11	JKBZXT40ABA022322	JKBZXT40ABA022575	JKBZXT40ABA022720	JKBZXT40ABA022940
12	JKBZXT40ABA022334	JKBZXT40ABA022576	JKBZXT40ABA022721	JKBZXT40ABA022941
13	JKBZXT40ABA022335	JKBZXT40ABA022577	JKBZXT40ABA022722	JKBZXT40ABA022942
14	JKBZXT40ABA022336	JKBZXT40ABA022578	JKBZXT40ABA022723	JKBZXT40ABA022943
15	JKBZXT40ABA022337	JKBZXT40ABA022599	JKBZXT40ABA022734	JKBZXT40ABA023005
16	JKBZXT40ABA022338	JKBZXT40ABA022600	JKBZXT40ABA022735	JKBZXT40ABA023084
17	JKBZXT40ABA022367	JKBZXT40ABA022601	JKBZXT40ABA022736	JKBZXT40ABA023087
18	JKBZXT40ABA022399	JKBZXT40ABA022602	JKBZXT40ABA022738	JKBZXT40ABA023088
19	JKBZXT40ABA022400	JKBZXT40ABA022603	JKBZXT40ABA022759	JKBZXT40ABA023115
20	JKBZXT40ABA022401	JKBZXT40ABA022614	JKBZXT40ABA022760	JKBZXT40ABA023117
21	JKBZXT40ABA022402	JKBZXT40ABA022615	JKBZXT40ABA022761	JKBZXT40ABA023118
22	JKBZXT40ABA022403	JKBZXT40ABA022616	JKBZXT40ABA022762	JKBZXT40ABA023184
23	JKBZXT40ABA022433	JKBZXT40ABA022617	JKBZXT40ABA022763	JKBZXT40ABA023185
24	JKBZXT40ABA022464	JKBZXT40ABA022618	JKBZXT40ABA022774	JKBZXT40ABA023243
25	JKBZXT40ABA022465	JKBZXT40ABA022644	JKBZXT40ABA022775	JKBZXT40ABA023245
26	JKBZXT40ABA022466	JKBZXT40ABA022659	JKBZXT40ABA022776	JKBZXT40ABA023258
27	JKBZXT40ABA022467	JKBZXT40ABA022660	JKBZXT40ABA022777	JKBZXT40ABA023259
28	JKBZXT40ABA022468	JKBZXT40ABA022662	JKBZXT40ABA022778	JKBZXT40ABA023260
29	JKBZXT40ABA023261	JKBZXT40ABA023416	JKBZXT40ABA023615	JKBZXT40ABA023750

30	JKBZXT40ABA023312	JKBZXT40ABA023467	JKBZXT40ABA023616	JKBZXT40ABA023812
31	JKBZXT40ABA023313	JKBZXT40ABA023469	JKBZXT40ABA023627	JKBZXT40ABA023813
32	JKBZXT40ABA023314	JKBZXT40ABA023502	JKBZXT40ABA023628	JKBZXT40ABA023814
33	JKBZXT40ABA023315	JKBZXT40ABA023503	JKBZXT40ABA023629	JKBZXT40ABA023815
34	JKBZXT40ABA023316	JKBZXT40ABA023504	JKBZXT40ABA023630	JKBZXT40ABA023816
35	JKBZXT40ABA023352	JKBZXT40ABA023505	JKBZXT40ABA023631	JKBZXT40ABA023836
36	JKBZXT40ABA023353	JKBZXT40ABA023506	JKBZXT40ABA023652	JKBZXT40ABA023842
37	JKBZXT40ABA023354	JKBZXT40ABA023547	JKBZXT40ABA023653	JKBZXT40ABA024122
38	JKBZXT40ABA023355	JKBZXT40ABA023548	JKBZXT40ABA023654	JKBZXT40ABA024799
39	JKBZXT40ABA023356	JKBZXT40ABA023549	JKBZXT40ABA023655	JKBZXT40ABA024800
40	JKBZXT40ABA023372	JKBZXT40ABA023550	JKBZXT40ABA023656	JKBZXT40ABA024801
41	JKBZXT40ABA023373	JKBZXT40ABA023551	JKBZXT40ABA023682	JKBZXT40ABA024802
42	JKBZXT40ABA023374	JKBZXT40ABA023572	JKBZXT40ABA023684	JKBZXT40ABA024841
43	JKBZXT40ABA023375	JKBZXT40ABA023573	JKBZXT40ABA023685	JKBZXT40ABA024842
44	JKBZXT40ABA023376	JKBZXT40ABA023575	JKBZXT40ABA023686	JKBZXT40ABA024843
45	JKBZXT40ABA023412	JKBZXT40ABA023576	JKBZXT40ABA023707	JKBZXT40ABA024879
46	JKBZXT40ABA023413	JKBZXT40ABA023612	JKBZXT40ABA023709	JKBZXT40ABA024883
47	JKBZXT40ABA023414	JKBZXT40ABA023613	JKBZXT40ABA023711	
48	JKBZXT40ABA023415	JKBZXT40ABA023614	JKBZXT40ABA023749	

(Malaysian System)

1	ZXT40A-022811	ZXT40A-025717	ZXT40A-025898	ZXT40A-026110
2	ZXT40A-023797	ZXT40A-025718	ZXT40A-025899	ZXT40A-026111
3	ZXT40A-023800	ZXT40A-025722	ZXT40A-025900	ZXT40A-026112
4	ZXT40A-025065	ZXT40A-025723	ZXT40A-025901	ZXT40A-026113
5	ZXT40A-025098	ZXT40A-025726	ZXT40A-025902	ZXT40A-026114
6	ZXT40A-025218	ZXT40A-025747	ZXT40A-025923	ZXT40A-026115
7	ZXT40A-025219	ZXT40A-025764	ZXT40A-025924	ZXT40A-026116
8	ZXT40A-025220	ZXT40A-025766	ZXT40A-025925	ZXT40A-026117
9	ZXT40A-025221	ZXT40A-025768	ZXT40A-025926	ZXT40A-026123
10	ZXT40A-025232	ZXT40A-025787	ZXT40A-025927	ZXT40A-026124
11	ZXT40A-025233	ZXT40A-025808	ZXT40A-025948	ZXT40A-026125
12	ZXT40A-025234	ZXT40A-025809	ZXT40A-025949	ZXT40A-026126
13	ZXT40A-025235	ZXT40A-025810	ZXT40A-025950	ZXT40A-026127
14	ZXT40A-025236	ZXT40A-025811	ZXT40A-025951	ZXT40A-026130
15	ZXT40A-025512	ZXT40A-025812	ZXT40A-025952	ZXT40A-026131
16	ZXT40A-025513	ZXT40A-025828	ZXT40A-026086	ZXT40A-026132
17	ZXT40A-025543	ZXT40A-025829	ZXT40A-026087	ZXT40A-026133
18	ZXT40A-025560	ZXT40A-025830	ZXT40A-026088	ZXT40A-026134
19	ZXT40A-025595	ZXT40A-025831	ZXT40A-026089	ZXT40A-026145
20	ZXT40A-025597	ZXT40A-025832	ZXT40A-026090	ZXT40A-026146
21	ZXT40A-025598	ZXT40A-025853	ZXT40A-026093	ZXT40A-026147
22	ZXT40A-025644	ZXT40A-025857	ZXT40A-026094	ZXT40A-026148
23	ZXT40A-025648	ZXT40A-025878	ZXT40A-026095	ZXT40A-026149
24	ZXT40A-025676	ZXT40A-025879	ZXT40A-026096	ZXT40A-026150
25	ZXT40A-025678	ZXT40A-025880	ZXT40A-026097	ZXT40A-026151
26	ZXT40A-025715	ZXT40A-025881	ZXT40A-026108	ZXT40A-026152
27	ZXT40A-025716	ZXT40A-025882	ZXT40A-026109	ZXT40A-026153
28	ZXT40A-026154	ZXT40A-026194	ZXT40A-026240	ZXT40A-026271

29	ZXT40A-026165	ZXT40A-026210	ZXT40A-026241	ZXT40A-026272
30	ZXT40A-026166	ZXT40A-026211	ZXT40A-026242	ZXT40A-026273
31	ZXT40A-026167	ZXT40A-026212	ZXT40A-026243	ZXT40A-026274
32	ZXT40A-026168	ZXT40A-026213	ZXT40A-026244	ZXT40A-026280
33	ZXT40A-026169	ZXT40A-026214	ZXT40A-026250	ZXT40A-026281
34	ZXT40A-026170	ZXT40A-026218	ZXT40A-026251	ZXT40A-026282
35	ZXT40A-026171	ZXT40A-026219	ZXT40A-026252	ZXT40A-026283
36	ZXT40A-026172	ZXT40A-026220	ZXT40A-026253	ZXT40A-026284
37	ZXT40A-026173	ZXT40A-026221	ZXT40A-026254	ZXT40A-026285
38	ZXT40A-026174	ZXT40A-026222	ZXT40A-026260	ZXT40A-026286
39	ZXT40A-026185	ZXT40A-026230	ZXT40A-026261	ZXT40A-026287
40	ZXT40A-026189	ZXT40A-026231	ZXT40A-026262	ZXT40A-026288
41	ZXT40A-026190	ZXT40A-026232	ZXT40A-026263	ZXT40A-026289
42	ZXT40A-026191	ZXT40A-026233	ZXT40A-026264	ZXT40A-026290
43	ZXT40A-026192	ZXT40A-026234	ZXT40A-026270	ZXT40A-026291